

Model 7120



Use

Model 7120 is a complete unit featuring pass-through Model 20 and case hatch Model 100. The entire unit comes ready for installation and is suited for indoor use. It is particularly well suited to handing over larger sums of money or items such as briefcases or valuables boxes, although it can also be used as a reception or front-desk counter for handing over passes, documents and receipts.

Safety and features

- Complete unit with flat tray and trough Model 20 moving in opposite directions. For handing over flat objects up to 30 mm high, such as passes, receipts and ID cards as well as larger objects up to 100 mm high. With integrated Public intercom for automatic two-way conversation.
- Case hatch Model 100 with sliding doors, either manual or electromechanical hatch operation and safety activation with additional mechanical door lock: only possible to have one door open at a time. Mechanism can not be manipulated.
- Offers firearm protection, capable of withstanding heavy handgun fire. Models featuring pass-through Model 20 and case hatch Model 100 have received FB4 certification from the firearms licensing authority.
- Model 7120 fulfils German UVV regulations.

Materials and use

- Safety glass adhering to BR4 NS.
- Carriage and through made out of 3 mm thick sheet steel with a black-brown powder coating.
- Counter element made out of brushed stainless steel.
- Case hatch made out of 3 mm steel, lined with stainless steel.
- All metal parts have been produced using state-of-the-art precision laser cutting technology for ultimate quality.
- Model 7120 is suitable for use in indoor areas.
- The unit requires no maintenance. No need for cleaning or lubrication.

Outer dimensions (all measurements in mm)

Width	1140
Height	2015
Depth	650

Drawer clearance

Width	335
Height	30

Hatch/carriage clearance

Width	370 / 400
Depth	310 / 540
Height	100 / 700

Mounting, wall recess

1110 x 2000 (W x H)

Weight

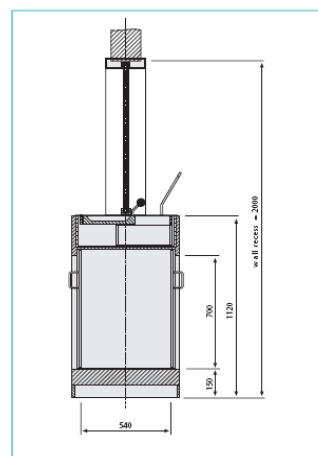
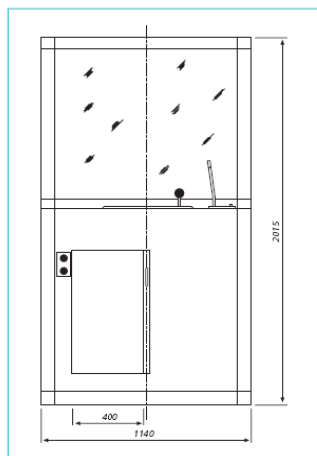
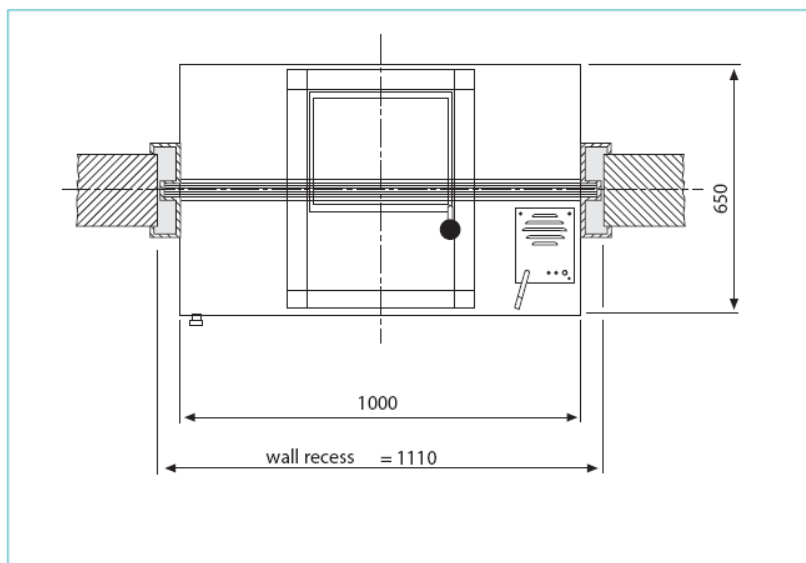
400 kg

Miscellaneous

- Combines with all other Wurster pass-throughs, such as Model 20 spät, the ideal counter unit for late or night shifts.

Modell 7120**Installation and dimensions**

The unit comes complete with power cables and is ready for exact mounting in prepared wall sections. It is inserted into the recess from the outside to fit flush with the wall. This is done by removing the inner frame before screwing the unit into place from the inside to prevent tampering. Consideration must be given to access requirements and the possible need to remove the unit later in the unlikely event of repairs. There should be a 230 V socket near the counter on the inner side.



- Also available as model 7520 or 7620 with case hatch Model 105 or money trolley hatch Model 106.
- Electrical door propulsion available.
- Other firearm categories available on request.
- Frame coatings available in alternative RAL colours on request

